

*Skycray* Instruments



# LC-310

Liquid Chromatograph



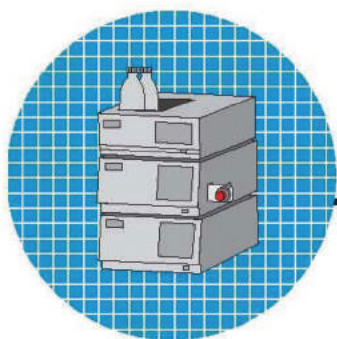
# intelligent liquid chromatograph



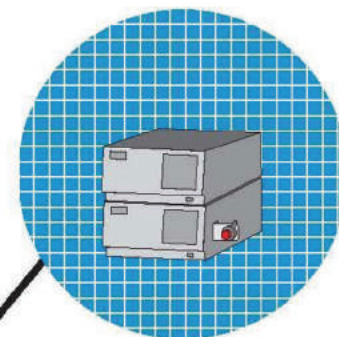
Based on years of comprehensive experience in research and development, LC-310 Liquid Chromatograph achieves the best balance in performance and stability. LC-310 High-performance Liquid Chromatograph features improved separation, sensitivity, speed, accuracy and stability. Advanced series pump and check valve ensure the user can achieve the accuracy and pulsation of solvent delivery.

# Liquid Chromatograph

# LC-310

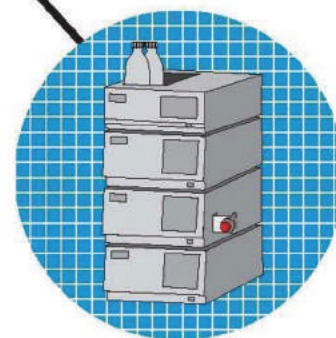


LC-310 Plus isocratic configuration with column oven

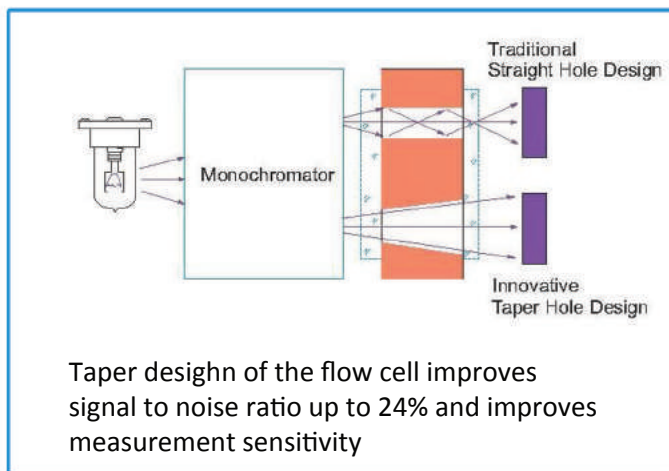


LC-310 Plus isocratic configuration

USB communication



LC-310 Plus binary high pressure gradient configuration



### DM100 Dynamic Mixer

Dynamic mixing technology allows homogenous mixing of mobile phase, making the testing more accurate



### CO100 Column Oven

Temperature control range: 5 C to 80 C  
 Temperature control precision: +/- 0.1 C with microcomputer control



## Liquid Chromatograph System

# LC-310

### Configurations:

- ➔ Standard P100 high pressure constant flow pump
- ➔ UV100 UV detector
- ➔ 7725i manual injector
- ➔ Exformma Pronaos Series chromatographic column
- ➔ WS100 workstation software



**The above configurations may vary upon users' requirements.**



### Technical specifications of the pump:

- ➔ Flow rate Control Range: 0.001~9.999mL/min(step adjustable flow rate:0.001mL/min)
- ➔ Flow rate stability deviation:  $S_r \leq 0.3\%$  RSD<0.006%
- ➔ Specification Error  $S_s$ :  $S_s \leq 2\%$ (Flow rate 1mL/min, pure water, pressure 5~10Mpa, room temperature)
- ➔ Pressure linearity and test accuracy: indicates pressure error smaller than 0.5Mpa (0~42MPa)
- ➔ Pulse pressure:  $\leq 0.1$ MPa (Flow rate 1mL/min, pressure 5~10Mpa)
- ➔ Airproof of pump: pressure 42MPa, time 10min, and pressure fall< 0.5MPa
- ➔ Maximal operating pressure: 42MPa(flow rate: 0.001~9.999mL/min)
- ➔ Dimension: 450mmX300mmX160mm (length x width x height)

### Technical specifications of UV detector:

- ➔ Wavelength range: 190–680nm
- ➔ Spectral bandwidth: 8nm
- ➔ Wavelength indicated value error:  $\leq \pm 1$ nm
- ➔ Wavelength repetitiveness: better than 0.1nm
- ➔ Baseline noise:  $\leq 2 \times 10^{-5}$  AU(Dynamic)
- ➔ Baseline drift:  $\leq 2 \times 10^{-4}$  AU(Dynamic)
- ➔ Minimum detectable concentration:  $1 \times 10^{-8}$  g/ mL (naphthalene/methanol solution)
- ➔ Dimension: 450mmX300mmX160mm (length x width x height)

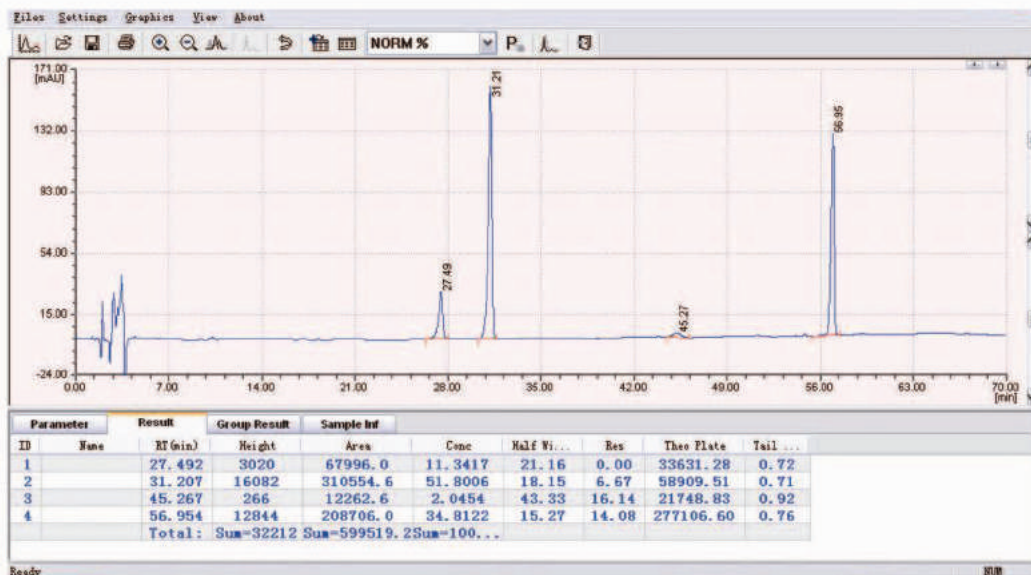
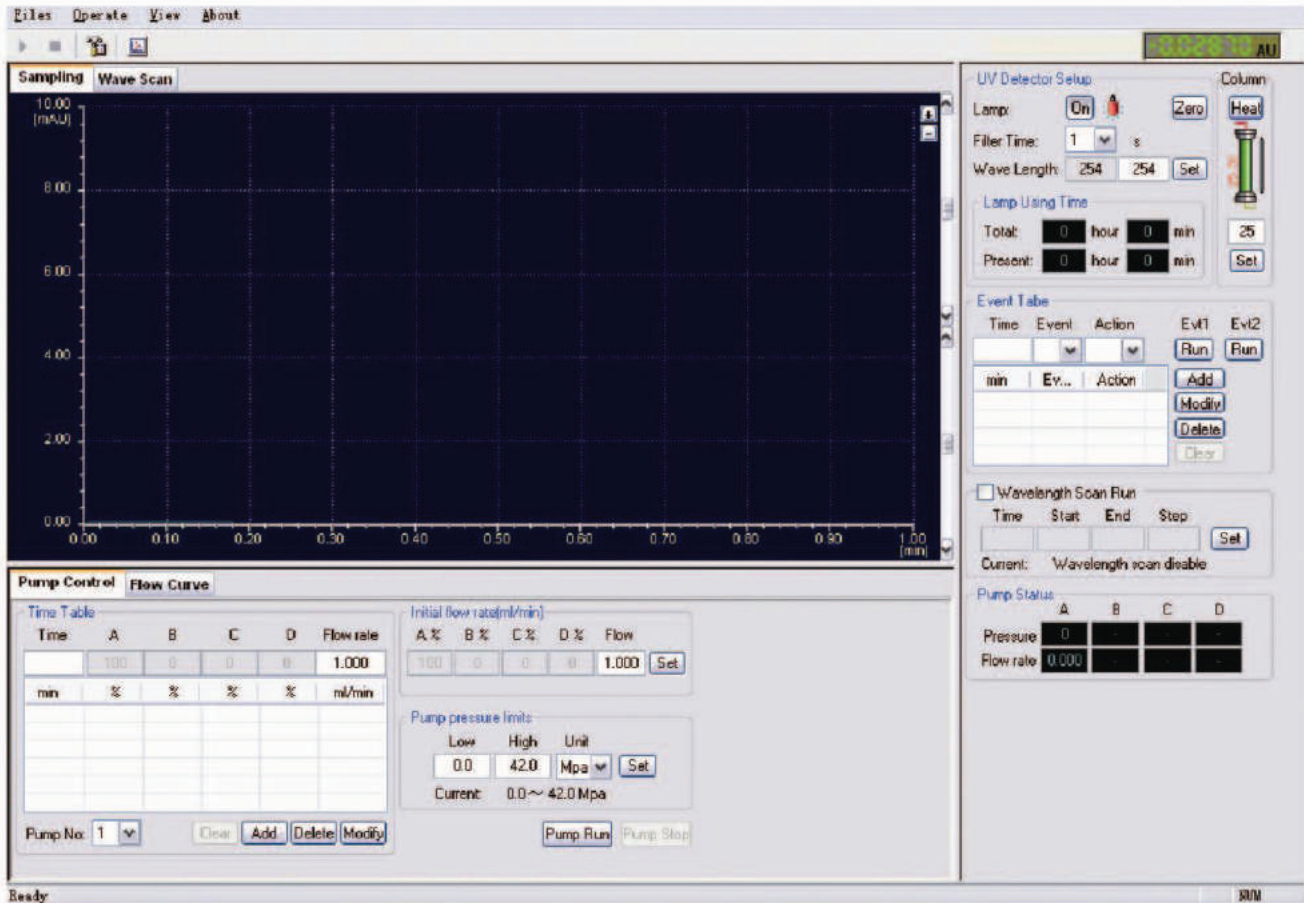


# Liquid Chromatograph System

# LC-310

## Powerfull and easy-to-use WS100 Work Station Software

WS100 Work Station Software delivers advanced control and features fully automatic integration of UV Detector and high pressure constant flow pump  
 Employing full digital control, WS100 Work Station simplifies workflow and generates maximum precision



# Skyray Instruments



Contact us for LATAM:  
Nanometrix Analytical Instruments  
México

++55 4350 1226  
[www.nanometrix.com.mx](http://www.nanometrix.com.mx)  
[info@nanometrix.com.mx](mailto:info@nanometrix.com.mx)

• Spectroscopy • Chromatography • Mass Spectrometry

Skyray Instruments specializes in the R&D, manufacturing and sales of analytical and measuring instruments in Spectroscopy, Chromatography and Mass Spectrometry fields. Our Products include X-ray Fluorescence Spectrometry, Atomic Absorption Spectrometry, Gas Chromatography, Inductively Coupled Plasma Spectrometry, Mass Spectrometry and many others

Skyray has been providing customers around the world with reliable and affordable Scientific Instruments for more than 20 years